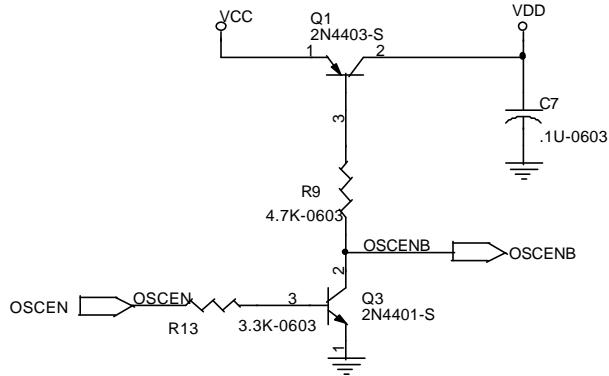


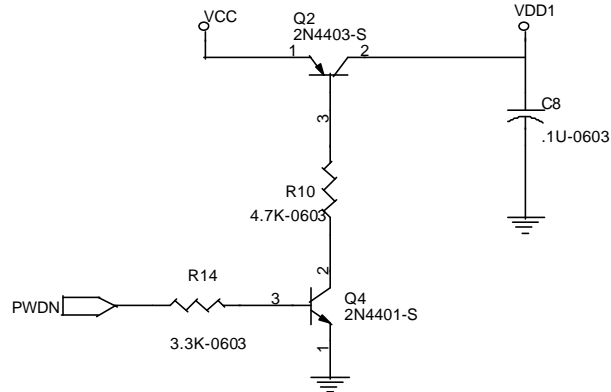
* Please fine tune R5 value for 48MHz crystal oscillating and EMI.

OmniVision Technologies, Inc.		
Title	USB Camera System	930 Thompson Place Sunnyvale, CA 94086
Size	Document Number	Rev
A	USB Controller (OV511PLUS)	1.01
Date:	Wednesday, February 16, 2000	Sheet 1 of 6

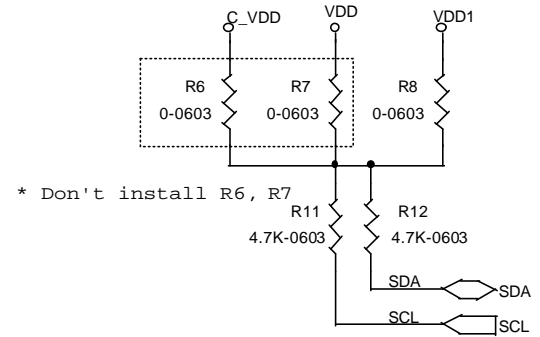
* DRAM & oscillator power switch



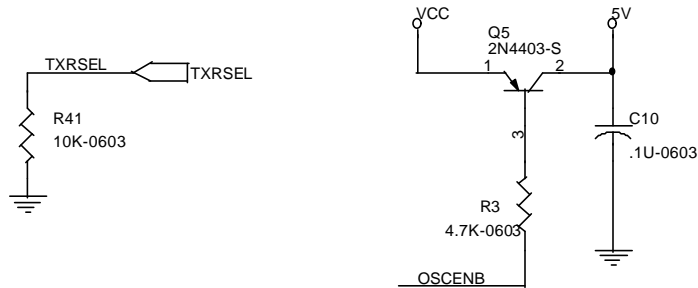
* Camera power switch



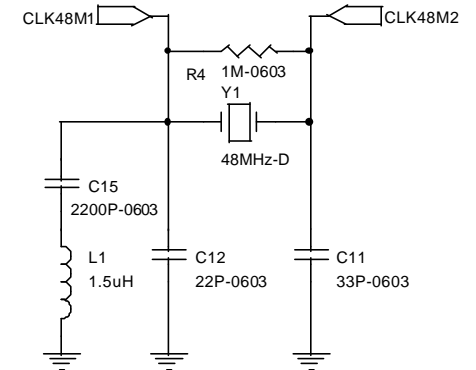
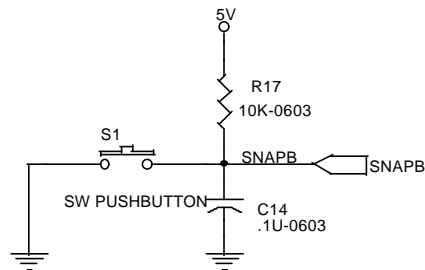
* I2C pull-up resistors



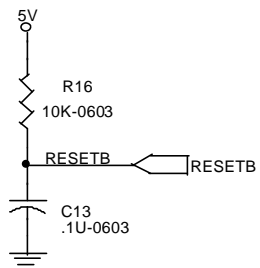
* Suspend: 5V --> 4.5V



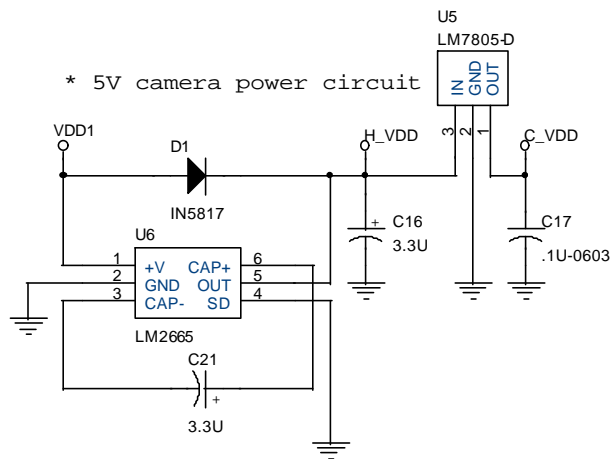
* Snap shot



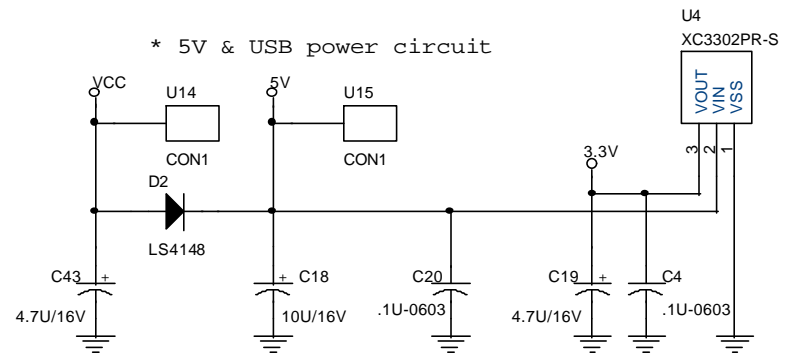
* Reset



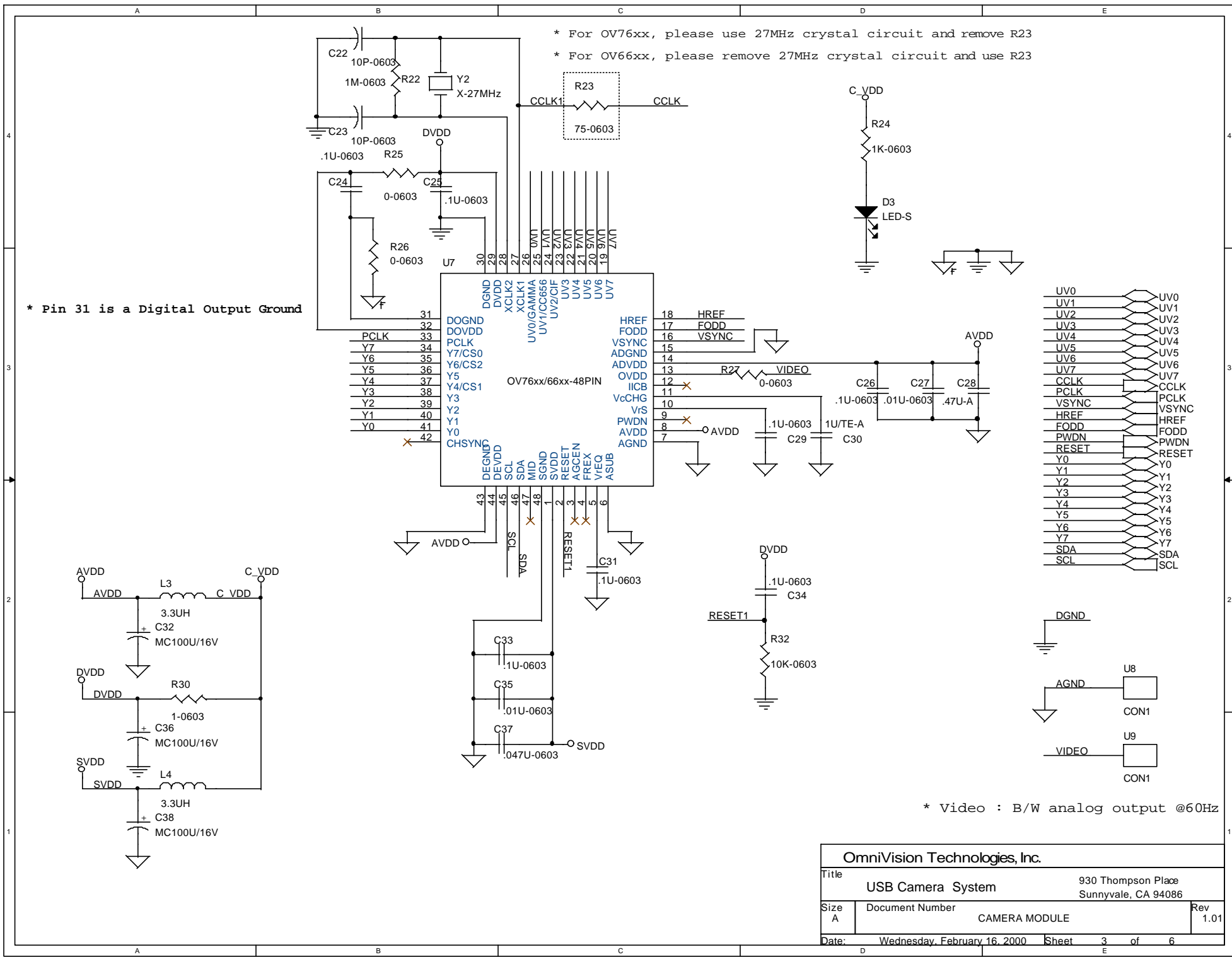
* 5V camera power circuit



* 5V & USB power circuit



OmniVision Technologies, Inc.			
Title USB Camera System			
Size A	Document Number Power and control	930 Thompson Place Sunnyvale, CA 94086	Rev 1.01
Date:	Wednesday, February 16, 2000	Sheet 2 of 6	



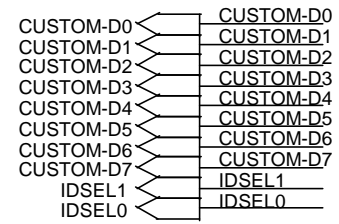
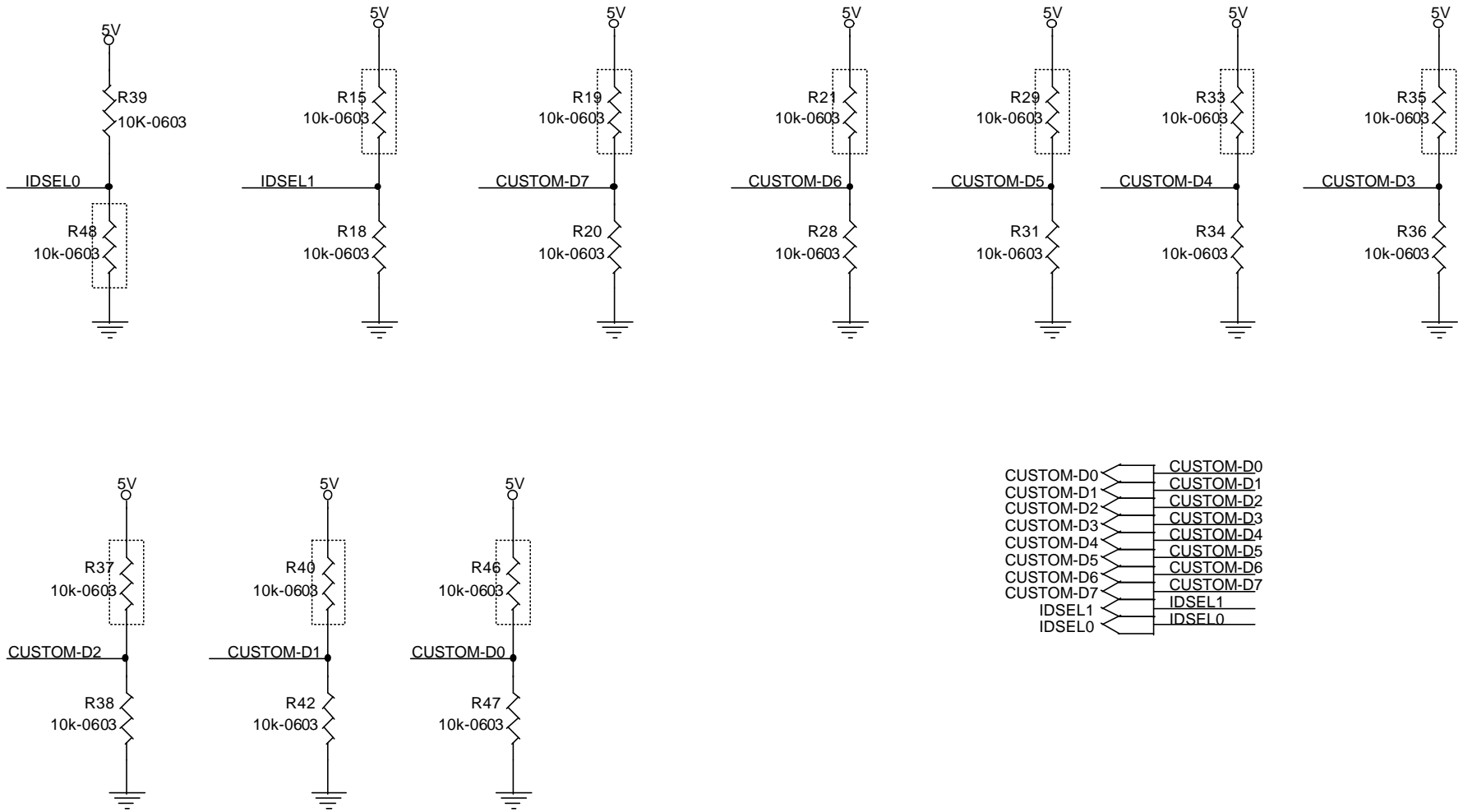
* For OV76xx, please use 27MHz crystal circuit and remove R23
 * For OV66xx, please remove 27MHz crystal circuit and use R23

* Pin 31 is a Digital Output Ground

* Video : B/W analog output @60Hz

OmniVision Technologies, Inc.			
Title		930 Thompson Place Sunnyvale, CA 94086	
USB Camera System			
Size	Document Number	CAMERA MODULE	Rev
A			1.01
Date:	Wednesday, February 16, 2000	Sheet	3 of 6

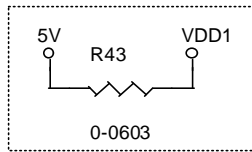
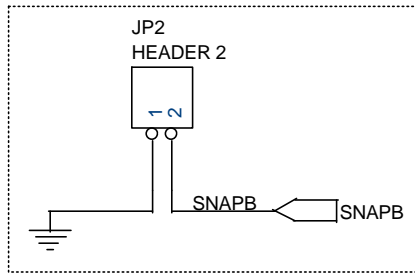
* ID Select OVT



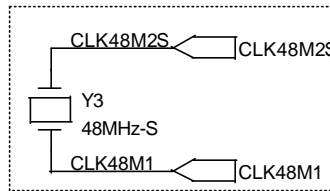
OmniVision Technologies, Inc		
Title USB Camea System		
Size A	Document Number CUSTOM ID and control	Rev 1.01
Date:	Wednesday, February 16, 2000	Sheet 4 of 6

* Don't install parts on this page

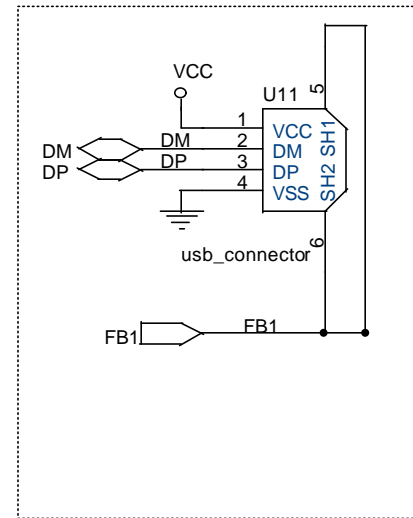
* Snap shot header



* 48MHz SMD Crystal

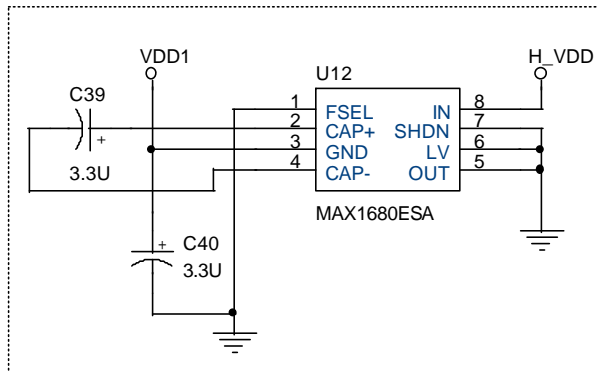


* USB connector

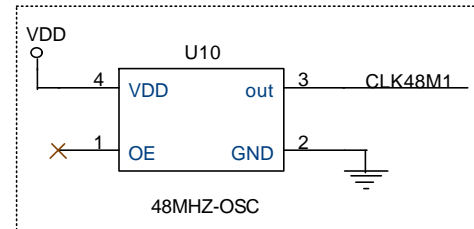


* Short L5

* Doubler



* 48MHz Oscillator



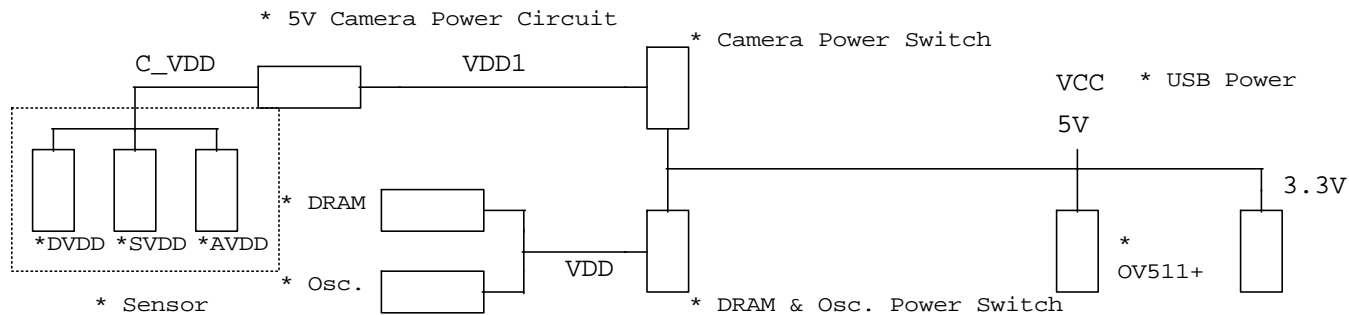
OmniVision Technologies, Inc.			
Title USB Camera System			
Size A	Document Number Options	930 Thompson Place Sunnyvale, CA 94086	Rev 1.01
Date:	Wednesday, February 16, 2000	Sheet	5 of 6

OmniVision Technologies, Inc.

OV511PLUS USB Camera System

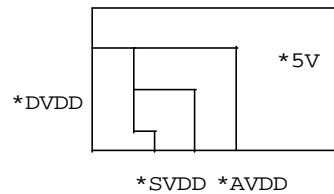
Rev. 1.01

Power Scheme :

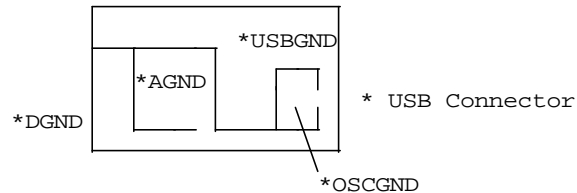


PCB Layout Notice :

1. Power Plane : Separates to 4 planes, DVDD, SVDD, AVDD, 5V



2. Ground Plane : Separates to 4 planes, DGND, AGND, OSCGND, USBGND, with single point connections



Modification

1. Change R5 from 240ohm (Rev1.0) to 100ohm (Rev1.01) for 48MHz crystal oscillating and EMI.

OmniVision Technologies, Inc.		
Title		930 Thompson Place Sunnyvale, CA 94086
Size A	Document Number Release Notice	Rev 1.01
Date:	Wednesday, February 16, 2000	Sheet 6 of 6